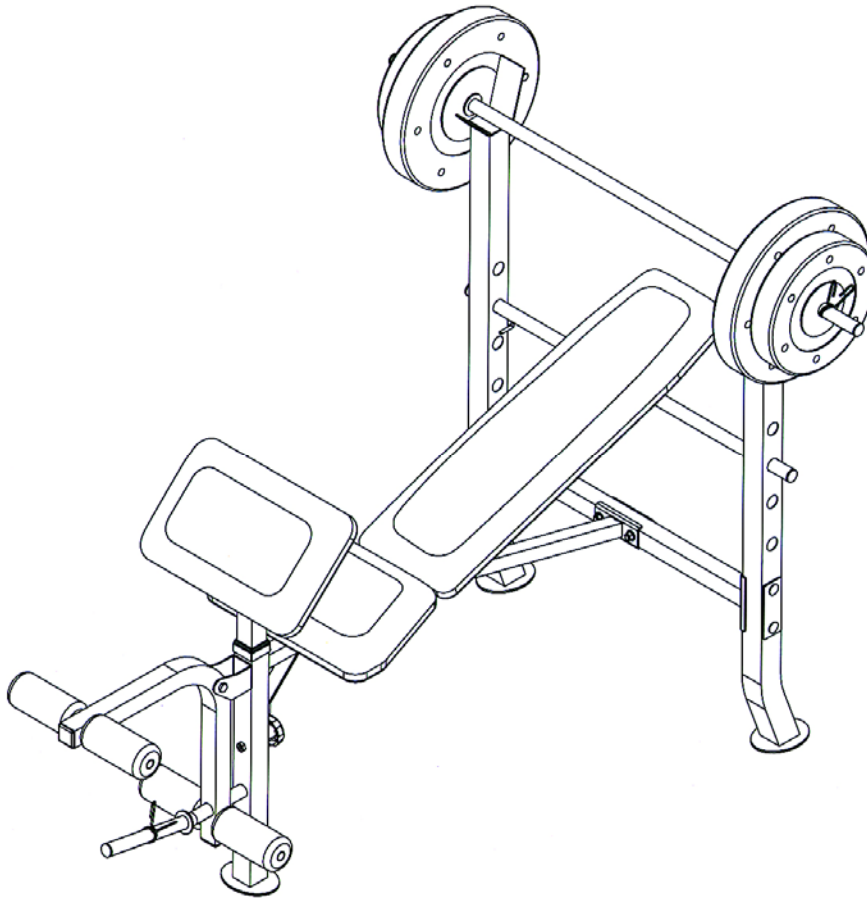




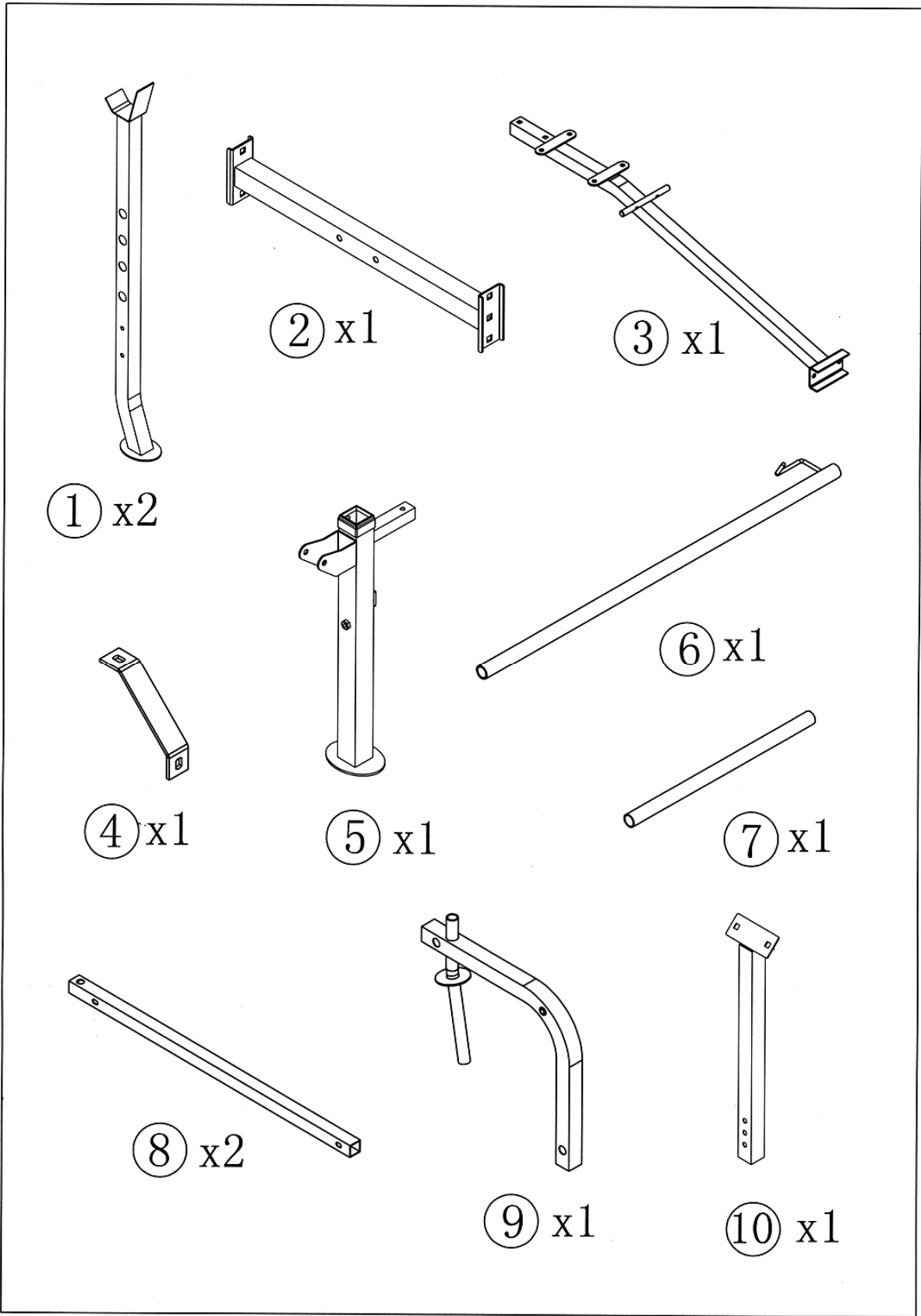
**MARCY CLUB
WEIGHT BENCH
MKB-2081**

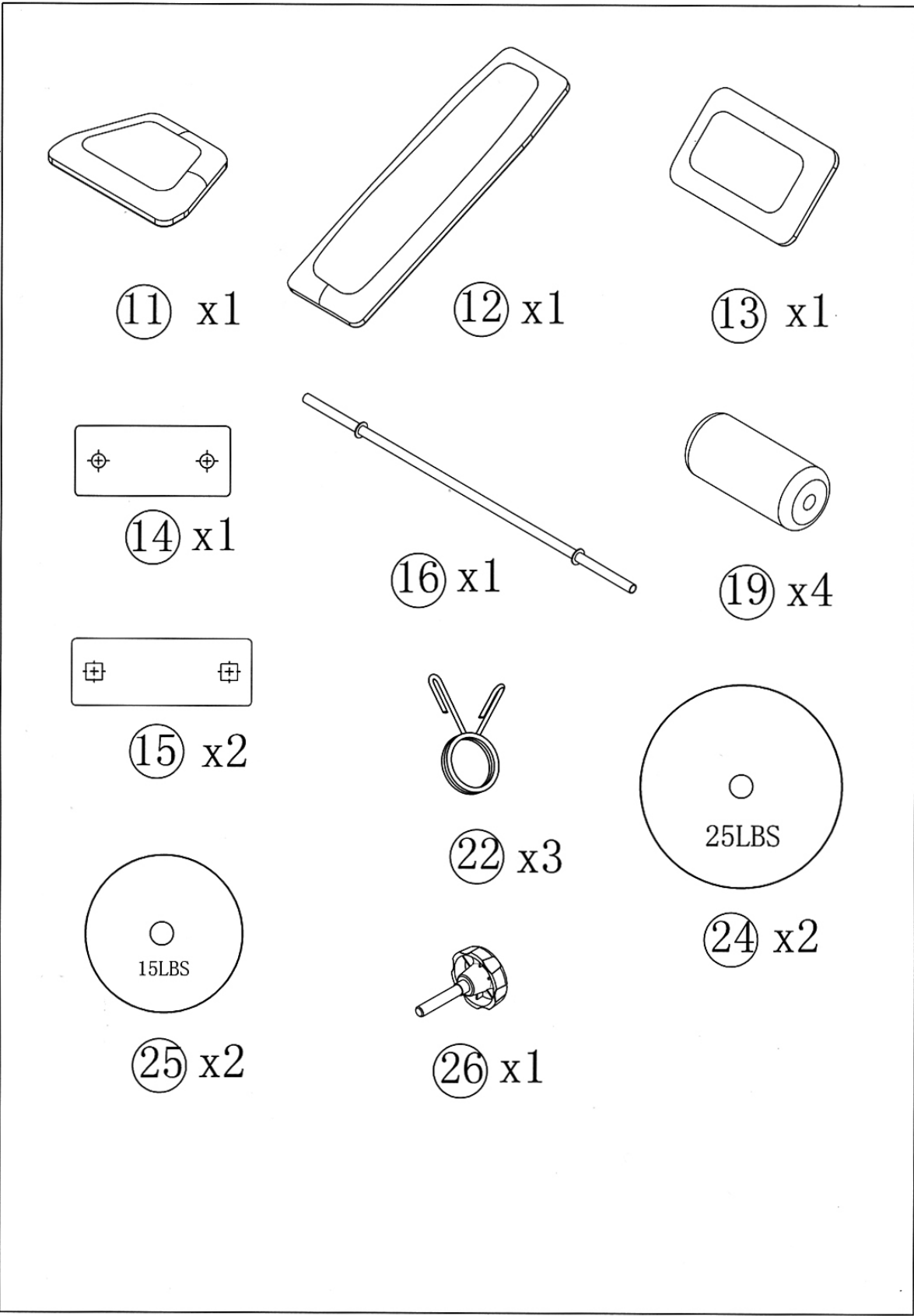


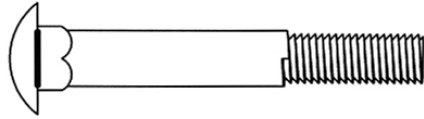
IMPORTANT: Please read the Important Safety Notice and Assembly Information in the Owner's manual before assembling this product.

Assembly Manual

120510



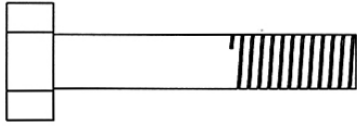




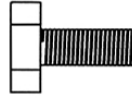
②7 x4



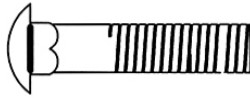
③2 x4



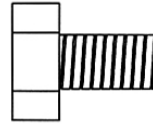
②8 x2



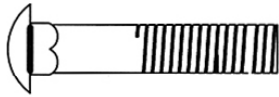
③3 x4



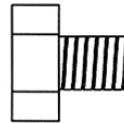
②9 x1



③4 x2



③0 x1



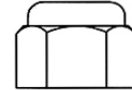
③5 x1



③1 x1



③9 x2



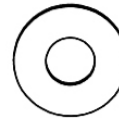
④0 x7



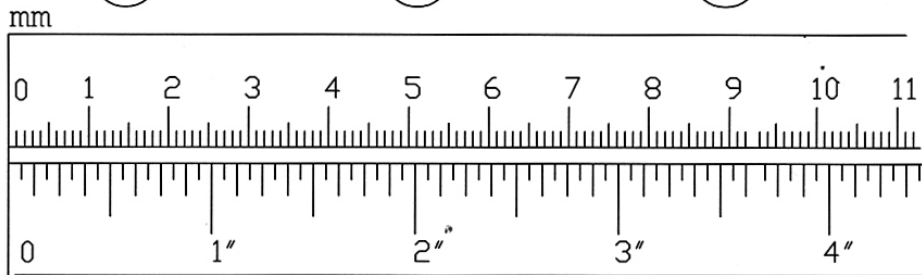
③6 x8



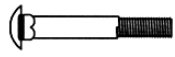
③7 x5



③8 x7



②⑦ x 4



M10 x 2 1/2"

④① x 4

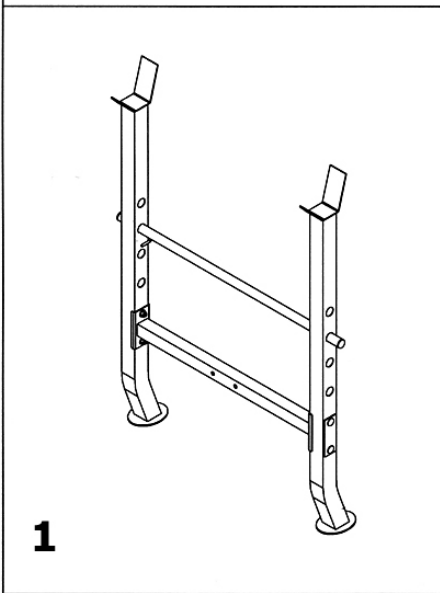
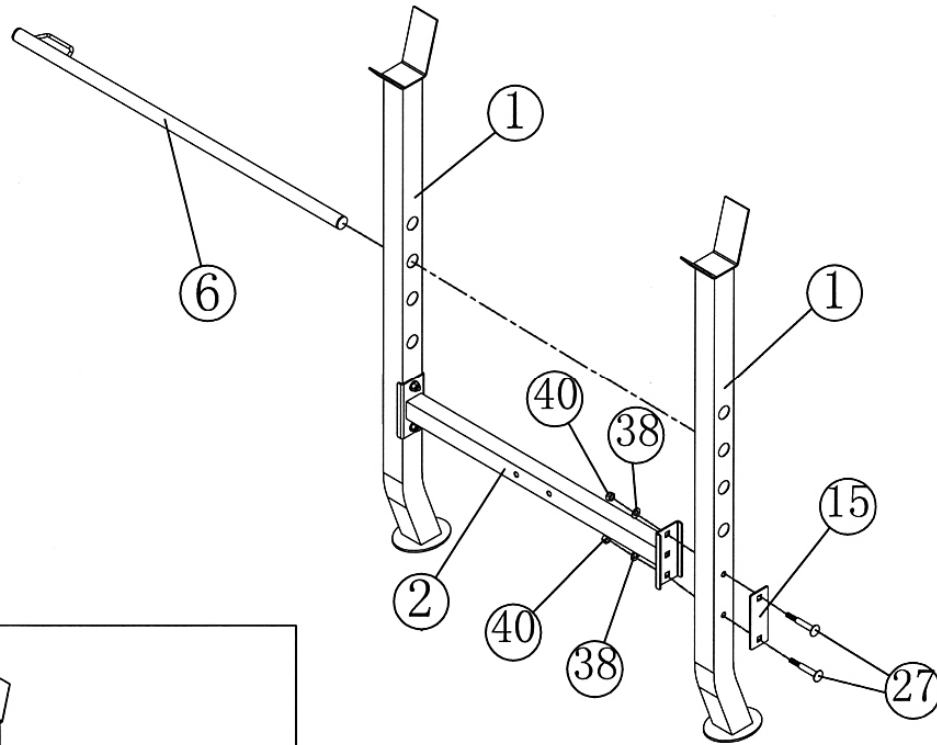
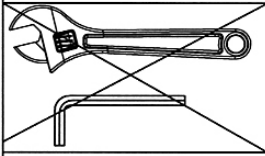


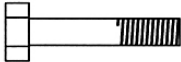



M10

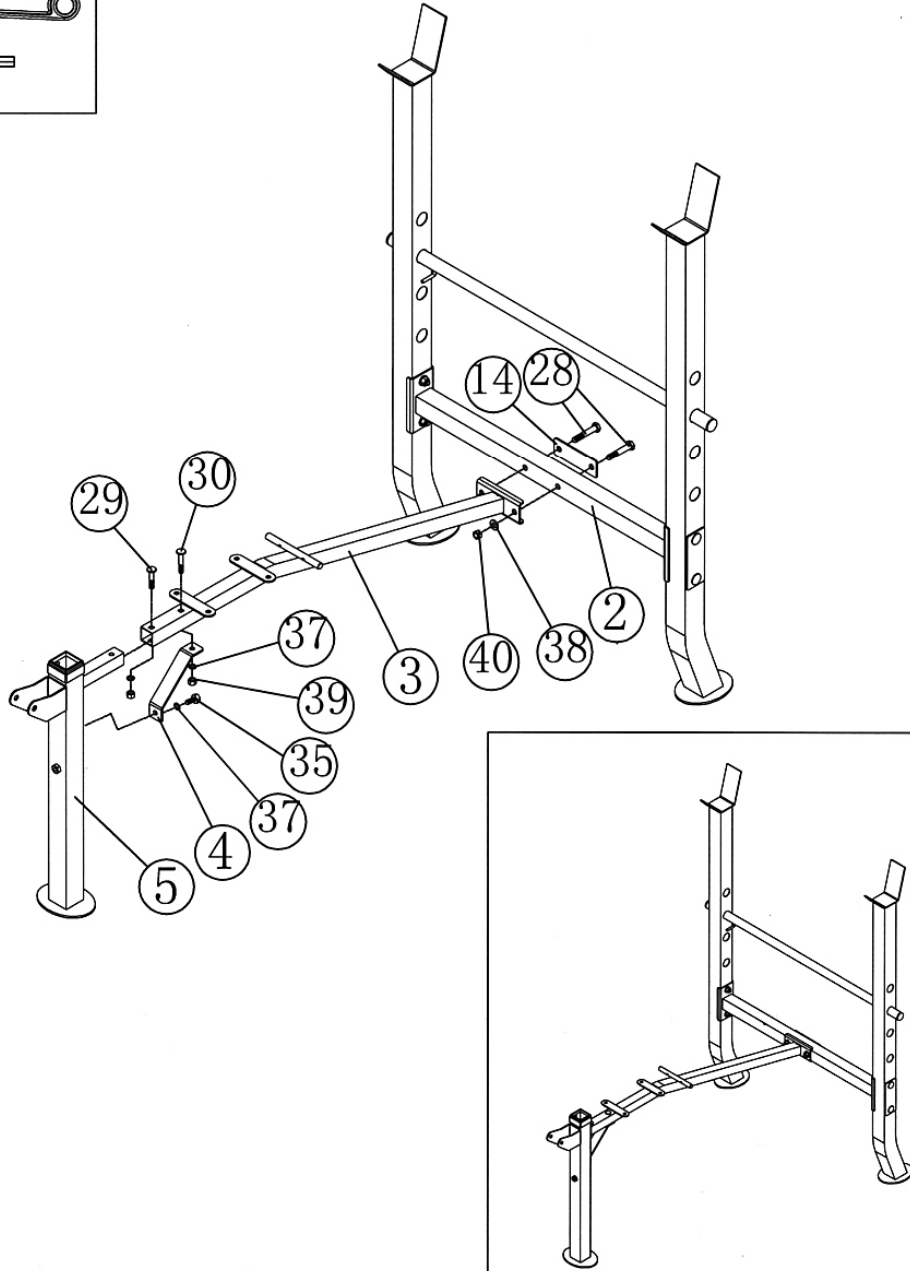
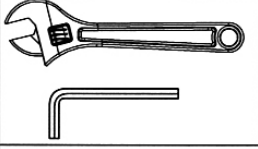
③⑧ x 4



Ø 3/4"



②⑧	x 2		M10 x 2 1/8"	③⑦	x 3		Ø 5/8"
②⑨	x 1		M8 x 1 5/8"	③⑧	x 2		Ø 3/4"
③⑩	x 1		M8 x 1 3/4"	③⑨	x 2		M8
③⑤	x 1		M8 x 3/8"	④⑩	x 2		M10



2

32 x 4



M6 x 1 3/8"

33 x 4

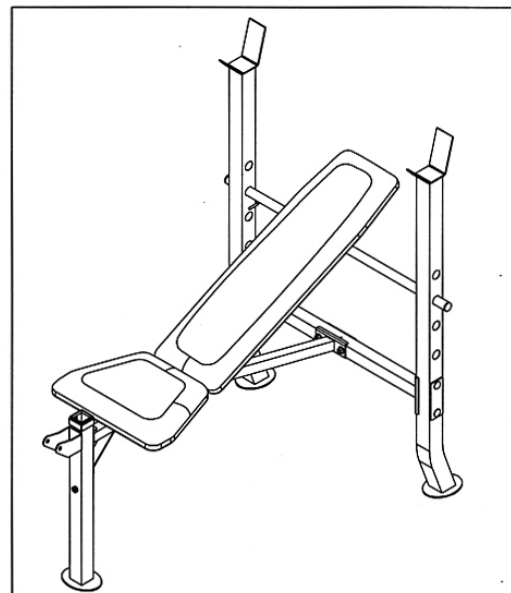
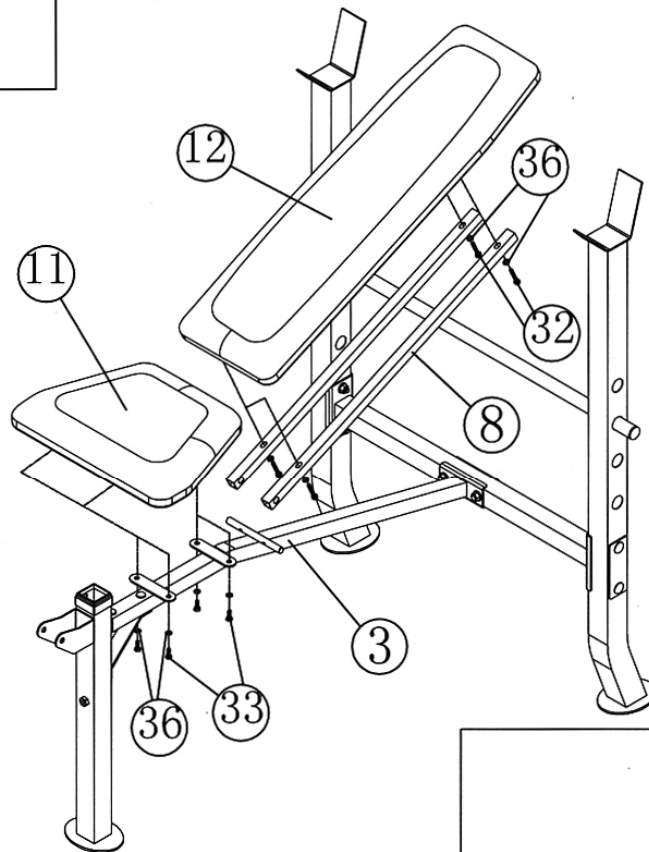
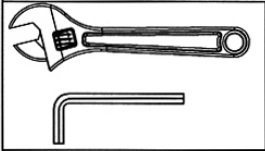


M6 x 5/8"

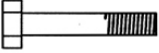

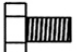


36 x 8

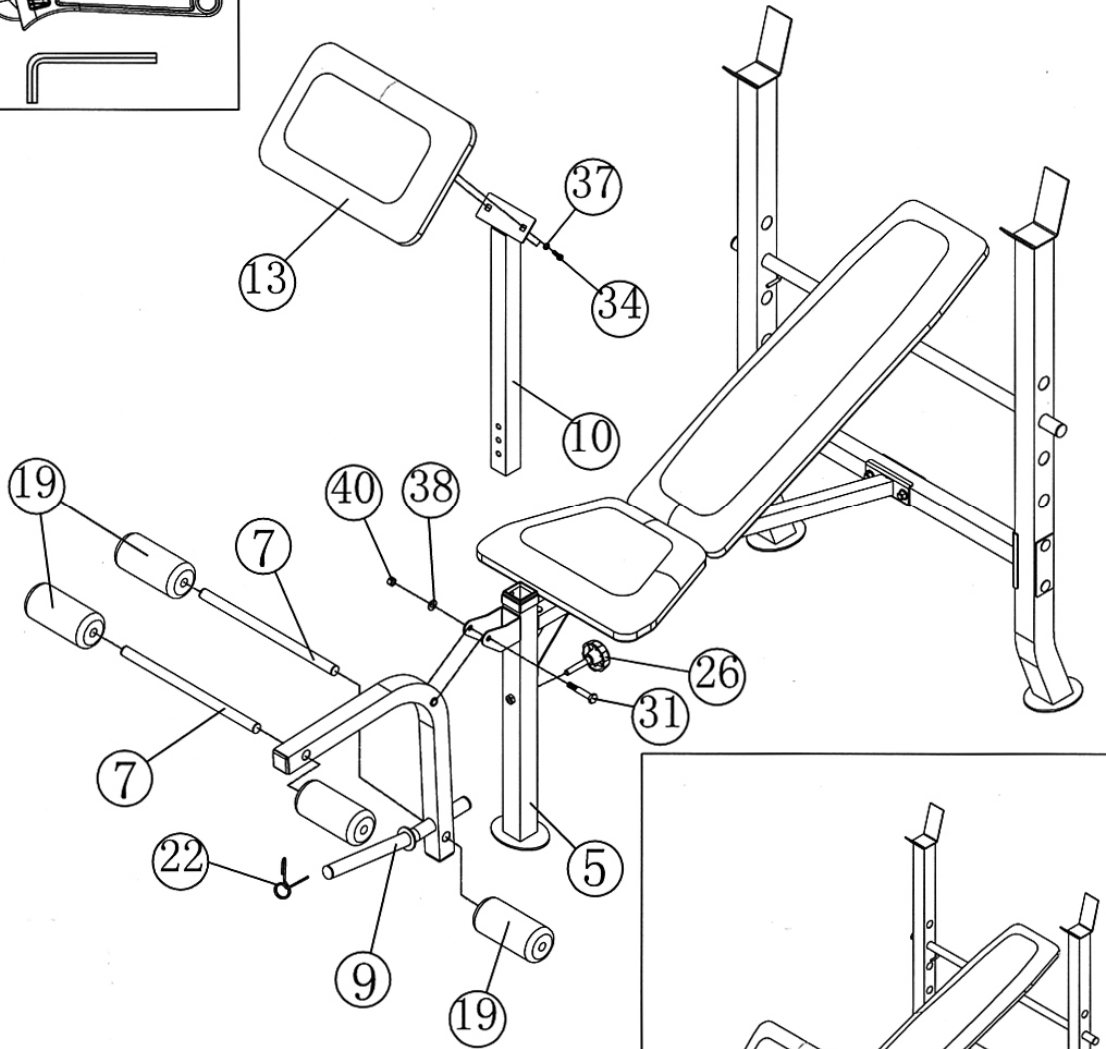
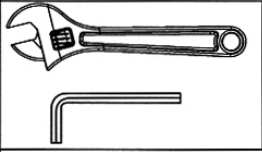


Ø 1/2"

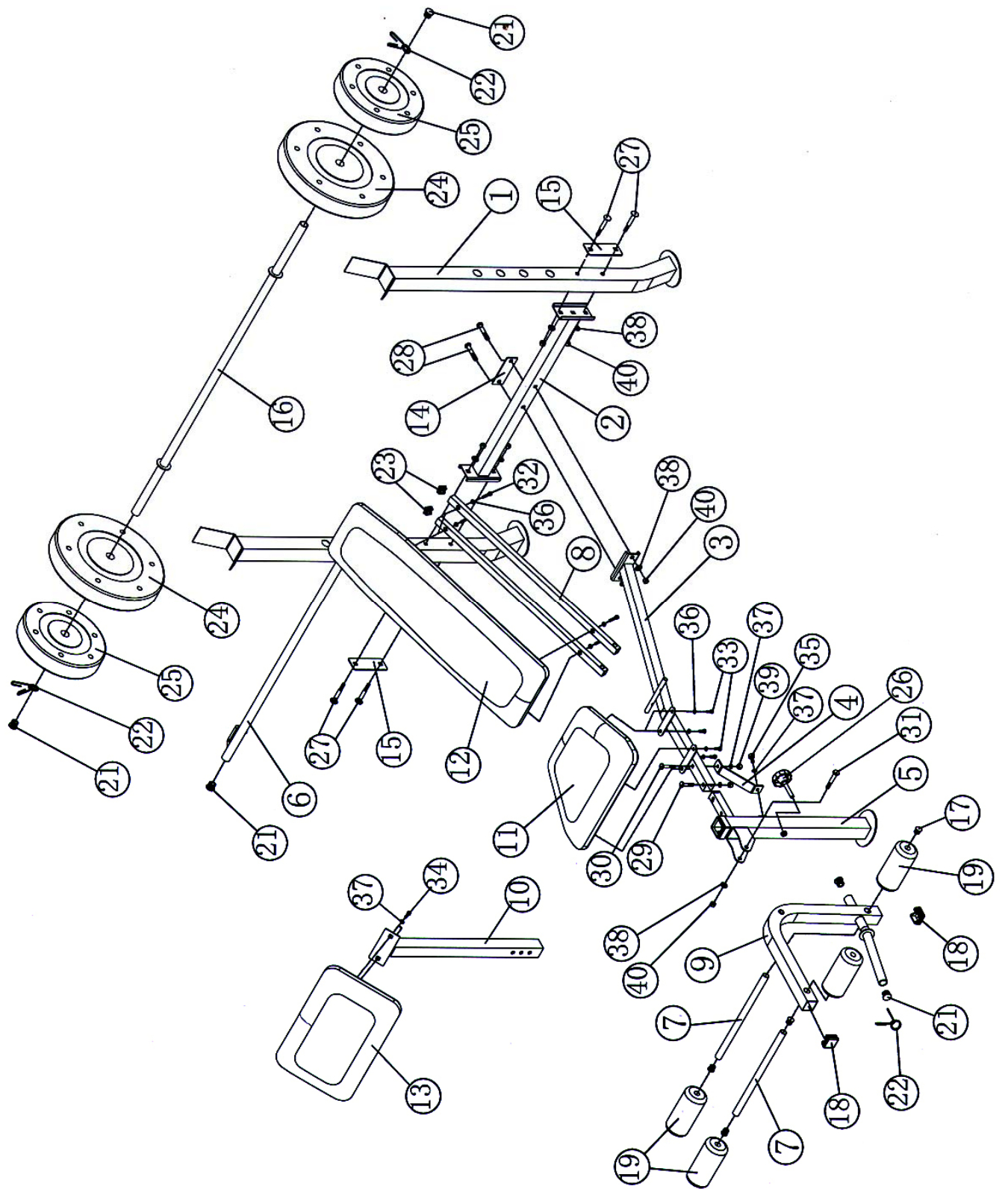


3

- | | | | | | |
|----------|---|-----------------------------|----------|---|-----------------------------|
| (31) x 1 |  | M10 x 2 $\frac{3}{8}$ " | (38) x 1 |  | $\varnothing \frac{3}{4}$ " |
| (34) x 2 |  | M8 x $\frac{3}{4}$ " | (40) x 1 |  | M10 |
| (37) x 2 |  | $\varnothing \frac{5}{8}$ " | | | |



4



IMPEX[®] INC.

2801 South Towne Avenue, Pomona, California 91766

Tel: (800) 999-8899 Fax: (626) 961-9966

www.impex-fitness.com

info@impex-fitness.com